



Standard



Adjusting program (CAL):
For quick setting of the balance's accuracy. External adjusting weight required.



Spray and dust protection: The type of protection is shown by the pictogram. For a definition see the glossary, page 96.



Battery operation:
The battery type is specified for each device.



Tare: put back displayed value to „0“ during weighing process, e.g. to add or remove weighing material from a container.

Order Hotline:
Go to back page of catalogue

Transportation and weighing
in one operation

KERN VHB
Pallet truck scale



Rapid lift function
5 pump lifts to achieve the maximum height

Pivot range 206°
Solid rubber castors on aluminium rims



PRE-TARE function
for manual deduction of a known container weight



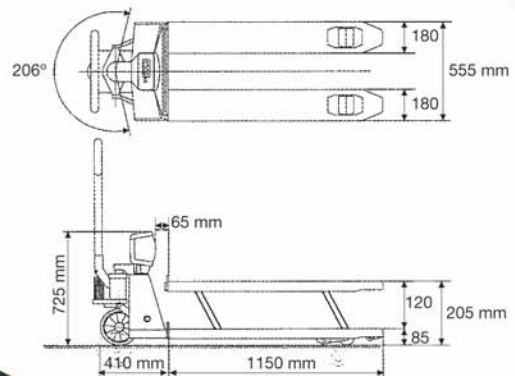
Ready for use
Batteries size AA (4x 1.5 V) included. AUTO-OFF function after approx. 3 min without a change of load, operating time approx. 80 h or 1700 weighings, charge condition indicator on display



Display device: IP 65
protected against dust and water splashes



Tandem tyres on load rollers so that you can get over thresholds and obstacles more easily



STANDARD



Large LCD display
digit height 28 mm

Model	Weighing range	Readout	Weight approx.	OPTION
KERN VHB 2T1	Max kg	d kg	kg	Certificate KERN 963-131
	2000	1	125	DKD

Display device WxDxH 210x153x70 mm.

UNITS Further weighing units: see the internet.
Permitted environmental temperature -10 ... +40 °C. **59**

KERN - Your DKD-Calibration Partner

issues DKD calibration certificates for balances and test weights in its own accredited laboratories. It is internationally valid.

KERN is a manufacturer of test weights in the international classes of accuracy E1, E2, F1, F2, M1, M2, M3, from 1 mg up to 2000 kg
DKD = German Calibration Service



Your KERN specialist dealer